

AWH Connect DIN 11864-2



AWH-Connect DIN 11864-2 Nut Flange and Accessories



The AWH-Connect is an aseptic and hygienic connection for containers. It was developed for the high requirements of the pharmaceutical and biotechnological industry, as well as those of the food industry. By using AWH-Connect 11864 instead of the classic AWH-Connect, hygiene is significantly improved due to the proven O-ring seal.

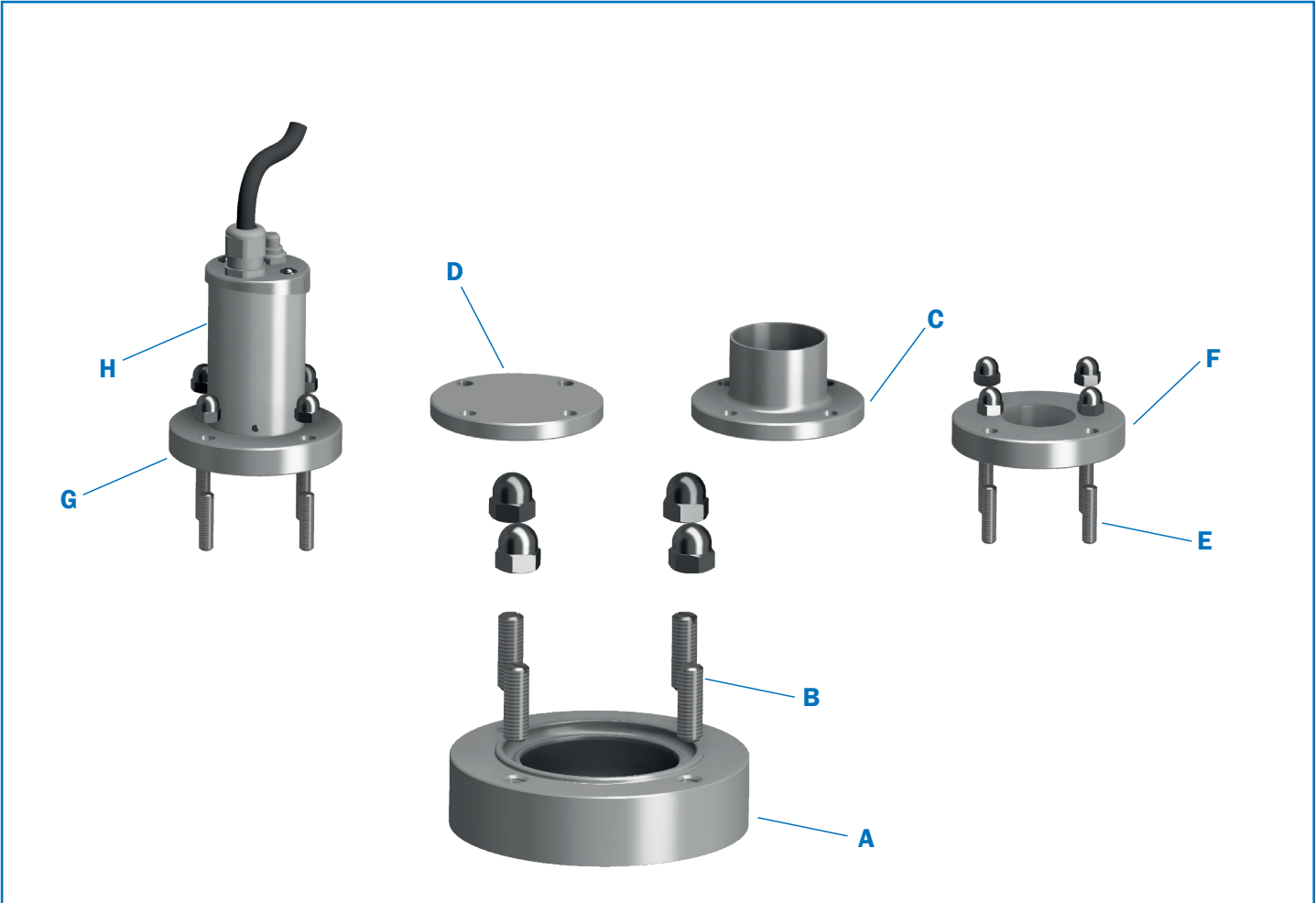
The AWH-Connect 11864-2 connection, compliant with the Pressure Equipment Directive, has been issued a PMA approval by DVS according to EN 13445 as well as AD2000-Merkblatt. Corresponding certificates can be provided on request.

Technical Parameters

Standard	Designed in accordance with the requirements of the Pressure Equipment Directive 2014/68/EU, EN 13445 and AD2000-Merkblätter.		
Materials	Block flange:	1.4404; 1.4539; 1.4435 BN2 (Delta-Ferrit: ≤ 1,0%) DIN EN 10272	
	Thread bolts / cap nuts / in conformity with the PED 2014/68/EU:	A4-70 / A4-50 DIN EN ISO 3506-1 / -2	
Surfaces	Hygienic class:	H3 (Standard)	H4 (Optional)
	Surfaces in contact with product:	Ra ≤ 0,8 µm	Ra ≤ 0,4 µm
	other Surfaces :	Ra ≤ 1,0 µm	Ra ≤ 1,0 µm
Operating pressure		DN25-40 ; 1" - 1½" -1 to 25 bar -14,5 to 362,6 psi	DN50-100 ; 2" - 4" -1 to 16 bar -14,5 to 232 psi
Operating temperature	-10 to +140 °C / -14 to 284 °F		
Thread bolts / Nuts	Thread bolts according to DIN 976-1 with 1x slot according to DIN 551 Cap nuts according to DIN 1587 Manufacturer recognized according to AD2000 Merkblatt (VdTÜV Merkblatt 1253/4) for design conforming to PED 2014/68/EU		
Seals	suitable for standard seals according to DIN11864/ DIN11853		
Labelling	Block flange permanently marked with material, batch no. and manufacturer's trademark		
Documentation	Acceptance test certificate 3.1 acc. to EN 10204 AD2000-W2/W10 Optionally available for welded flange		
Delivery / Packaging	The product is delivered in a disassembled condition. Block flange and thread bolts/nuts are all securely packaged separately. Returns are only possible if the packaging has not been opened! Seals are not included in the scope of delivery.		
Options	Customized versions in terms of materials, surfaces, Block flange heights etc. can be supplied on request. Please get in touch with us!		
Notes	The operating limits (pressure and temperature) for the AWH-Connect depend on both the seal used and the connected component. The weakest individual component in the connection determines the max. permissible pressure and the max. temperature. The compatibility of the components to be connected must be checked in advance. After installing a component, it is to be ensured that the cap nuts are screwed on tightly before applying pressure to the system. Weight specifications are approximate weights. We reserve the right to make technical changes.		

AWH-Connect DIN 11864-2 Nut Flange and Accessories

Configuration example



- A** Block flange 11864-2
- B** Screw kit AWH-Connect 11864
- C** Liner flange 11864-2 / 11853-2
- D** Blind liner flange 11864
- E** Screw kit AWH-Connect 11864 Sight glass/Light
- F** Sight glass for AWH-Connect 11864-2
- G** Sight glass AWH-Connect for Sight glass light fitting
- H** Sight glass light fitting for AWH-Connect 11864

Services

Block Flange Measuring Report			
Article No.	Description	Measuring points	Price netto/EUR
1611MP00RA00500	Surface roughness (inner/outer)	5	55,00
1611MP00FE00200	Delta-Ferrite content (inner)	2	45,00

Material Certificates	
Description	Price netto/EUR
Acceptance test certificate 3.1 / AD2000-W2/W10	15,00



Armaturenwerk Hötensleben GmbH
 Schulstr. 5-6
 D-39393 Hötensleben

Tel: +49 39405 92-0
 Fax: +49 39405 92-111
 E-Mail: info@awh.eu
 http://www.awh.eu

NEUMO Ehrenberg Group

