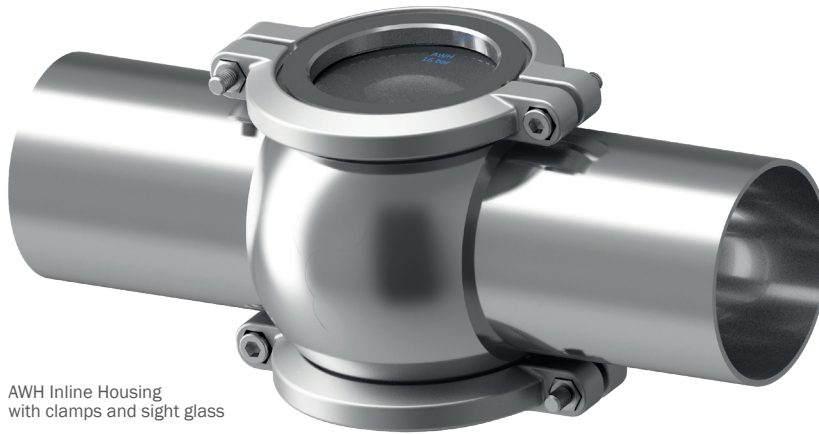


Inline Housing



General

The hygienic AWH inline housings are the ideal basis for connecting a wide range of devices, valves and monitoring sensors. They are primarily used in the food, cosmetics and pharmaceutical industries. The process connection is an universal hygienic connection that has been established on the market for decades. Inline housings can be installed flexibly, both vertically and horizontally. They are also CIP and SIP-capable and enable residue-free cleaning.



AWH Inline Housing with clamps and sight glass

Technical Data

Connection variant:	Weld-on ends DIN EN 10357/ DIN 11866 (suitable for orbital welding technology)
Process connection:	Compatible with all available measuring instruments (variant N)
Material:	1.4404/ 316L (in contact with the product)
Surface:	Ra ≤ 0,8 µm (in contact with the product)
Operating pressure	max. 16 bar/ 232 psi
Operating temperature:	max. 95 °C / 149 °F max. 140 °C/ 284 °F (CIP/SIP cleaning, short-term)
Sealing variants:	EPDM, FKM, HNBR
Options:	Sealing lid, sight glass, LED sight glass

Application

Process Technology

Adaptation of valves, magnetic filters, ...



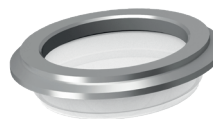
Measurement

Adaptation of measurement instruments



Visual Inspection

Adaptation of sight glasses

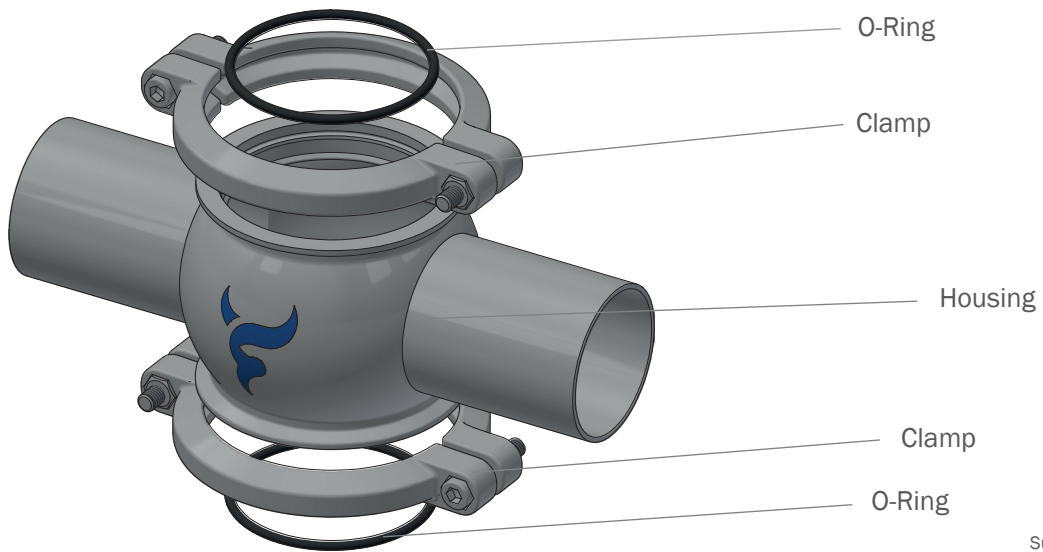


Connections

Simple and flexible pipe connections

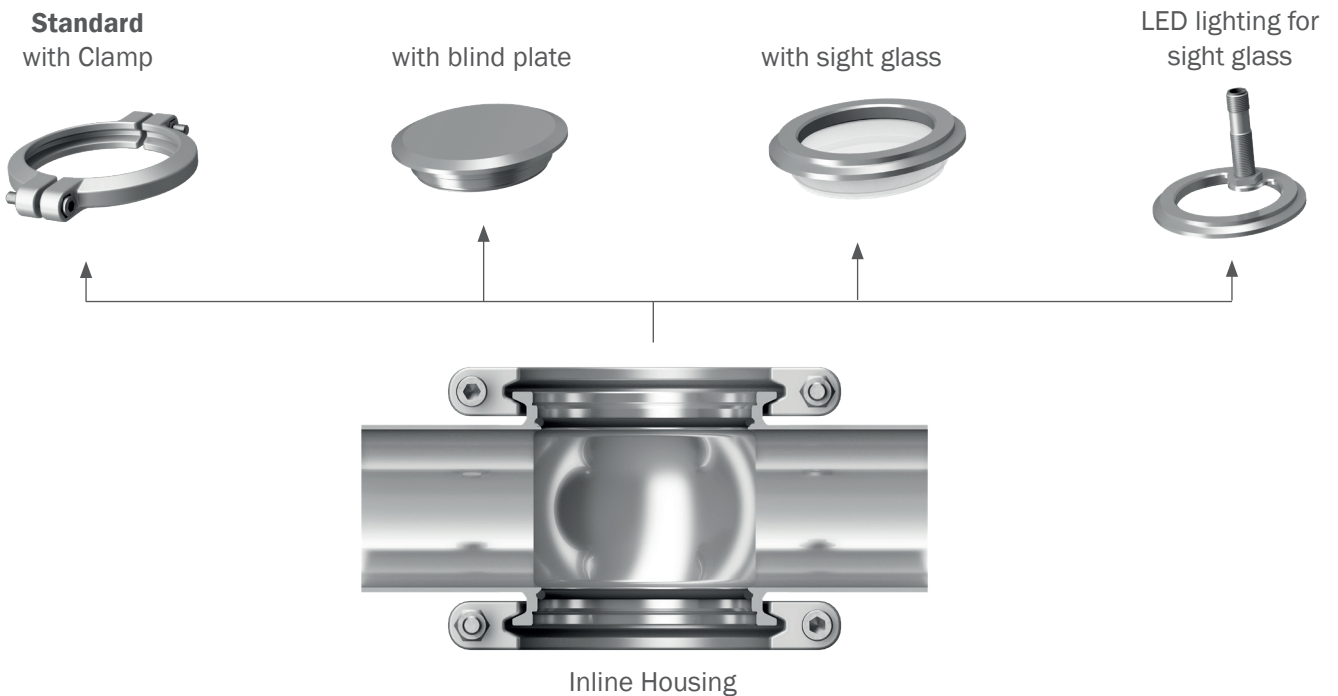


Structure - standard scope of delivery

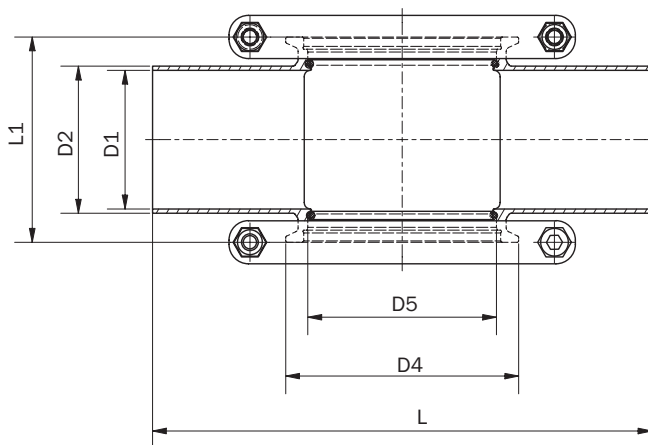


Supplied in individual parts!

Versions



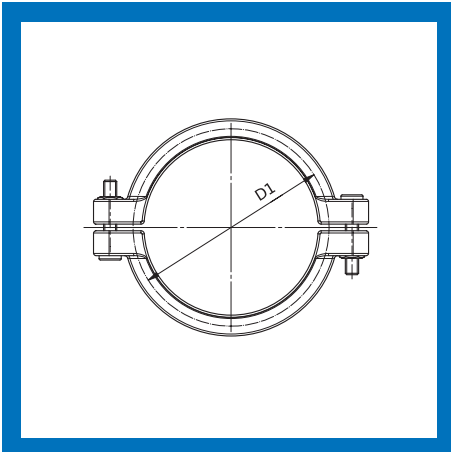
Dimensions and ordering information - Standard



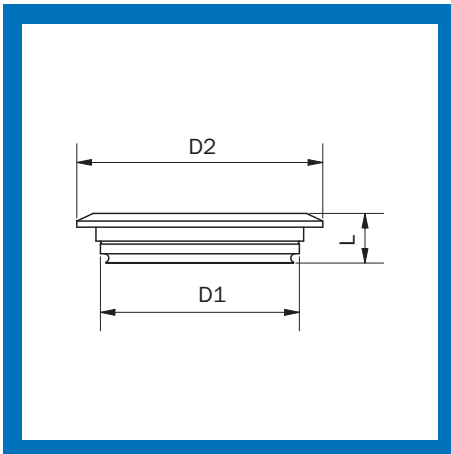
Supplied in individual parts!

Size	D1	D2	D4	D5	L	L1	Weight (kg)	1.4404/EPDM		1.4404/FKM		1.4404/HNBR	
								Art.no.	Price (Euro)	Art.no.	Price (Euro)	Art.no.	Price (Euro)
DN40	38	41	84	68	180	62	1.028	63000 201 040 30	256.80	63000 202 040 30	263.40	63000 203 040 30	271.20
DN50	50	53	84	68	180	74	1.141	63000 201 050 30	274.20	63000 202 050 30	280.80	63000 203 050 30	288.60
DN65	66	70	84	68	250	90	1.640	63000 201 065 30	326.90	63000 202 065 30	333.50	63000 203 065 30	341.30
DN80	81	85	84	68	250	105	1.917	63000 201 080 30	408.90	63000 202 080 30	415.50	63000 203 080 30	423.30
DN100	100	104	84	68	250	124	2.144	63000 201 100 30	468.30	63000 202 100 30	474.90	63000 203 100 30	482.70
DN125	125	129	84	68	250	149	2.422	63000 201 125 30	595.00	63000 202 125 30	601.60	63000 203 125 30	609.40
DN150	150	154	84	68	250	174	2.924	63000 201 150 30	1010.00	63000 202 150 30	1016.60	63000 203 150 30	1024.40

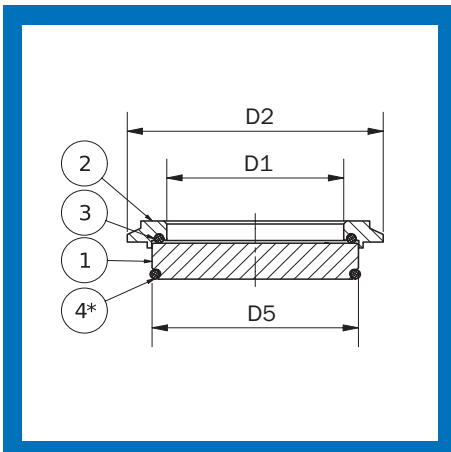
Dimensions and ordering information - Accessories



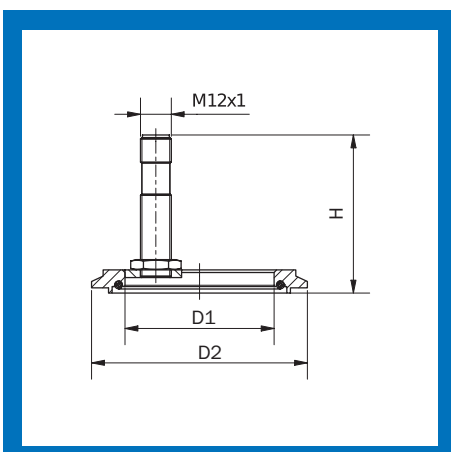
Clamp				
D1	Weight [kg]		Price/EUR	Article-No.
89	0.225		24.50	63011 000 084 00



Blind Plate					
D1	D2	L	Weight [kg]	Price/EUR	Article-No.
68	84	17	0.55	37.80	63011 000 084 30



Sight glass with retaining ring and O-ring				
D1	D2	D5	Weight [kg]	Set 1-3
58	84	68	0.215	Price/EUR Article-No. 78.20 63012 000 084 70
Set consisting of (1) Sight glass (2) Retaining ring (3) O-ring				
(4)* O-Ring must be ordered separately!				
- EPDM				10605 000 060 00
- FKM				10605 000 060 01
- HNBR				10605 000 060 02



Sight glass light with retaining ring and O-ring				
D1	D2	H	Weight [kg]	Set
58	84	62	0.668	Price/EUR Article-No. * 63012 000 084 90

* on request



Armaturenwerk Hötensleben GmbH
 Schulstr. 5-6
 D-39393 Hötensleben

Tel: +49 39405 92-0
 Fax: +49 39405 92-111
 E-Mail: info@awh.eu
 http://www.awh.eu

NEUMO Ehrenberg Group

