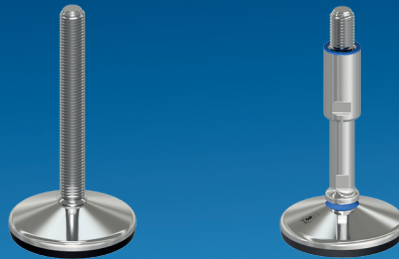


Machine Feet



General

AWH machine foot in stainless steel AISI 304 for the food-, beverage-, cosmetics-, and biopharmaceutical industries

Machine feet are essential for the safe and stable installation of machines, tanks, assembly lines or other industrial applications. AWH offers an extensive portfolio of high-quality stainless steel machine feet AISI 304. Other dimensions and designs are available on request. The AWH machine feet are designed to meet the most diverse requirements of the food, beverage, cosmetics and biopharmaceutical industries.

Products

AWH offers a portfolio of machine feet made of AISI 304 stainless steel that are robust, versatile and adaptable. Standard machine feet are ideal for general machine installations and offer a reliable solution for many applications.



The hygienic machine feet with 3-A approval in accordance with 88-01 are the perfect choice for environments with high hygiene requirements, such as clean rooms, laboratories for pilot systems or open production processes, for example in the bakery industry. They meet the strictest hygiene standards and guarantee maximum cleanliness and safety.

Suitable welding plates are available as a supplement, with which devices, containers or other components can be securely fastened.



Machine foot standard



Machine foot hygienic



Welding plates

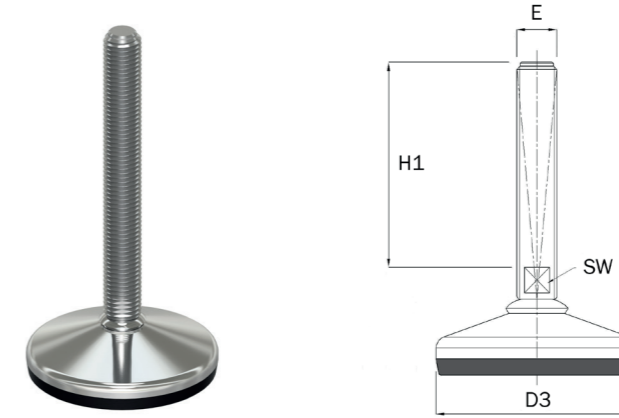
Features and Benefits

Our machine feet are available in various heights, thread sizes and fully threaded versions. This flexibility allows precise adaptation to your requirements.

The non-slip rubber coating ensures stability and at the same time reduces the transmission of operating noise to the structure. Our machine feet therefore contribute to quieter and safer operation.

AWH machine feet combine hygiene, flexibility and reliability. They are the ideal solution for standard applications as well as for hygienically sensitive areas. With our products, you can optimize operational safety while ensuring maximum process stability.

Machine foot standard



Foot diameter 80mm

E	D3	H1	SW	payload [Newton]	weight [kg]	price/EUR	AISI 304/NBR	article-no.
M12	80	50	14	10000	0.254	16.87		70100 080 050 12
M12	80	100	14	10000	0.286	18.12		70100 080 100 12
M12	80	150	14	10000	0.298	19.42		70100 080 150 12
M14	80	100	14	10000	0.314	18.12		70100 080 100 14
M14	80	150	14	10000	0.364	19.42		70100 080 150 14
M16	80	100	13	10000	0.352	19.42		70100 080 100 16
M16	80	150	13	10000	0.420	20.69		70100 080 150 16
M16	80	200	13	10000	0.486	22.27		70100 080 200 16
M20	80	100	17	10000	0.446	21.65		70100 080 100 20
M20	80	150	17	10000	0.543	23.25		70100 080 150 20
M20	80	200	17	10000	0.640	25.62		70100 080 200 20
M20	80	250	17	10000	0.748	28.05		70100 080 250 20
M24	80	100	20	10000	0.511	23.88		70100 080 100 24
M24	80	150	20	10000	0.689	26.71		70100 080 150 24
M24	80	200	20	10000	0.811	29.44		70100 080 200 24

Foot diameter 100mm

E	D3	H1	SW	payload [Newton]	weight [kg]	price/EUR	AISI 304/NBR	article-no.
M16	100	100	13	15000	0.516	27.67		70100 100 100 16
M16	100	150	13	15000	0.584	28.65		70100 100 150 16
M16	100	200	13	15000	0.650	30.89		70100 100 200 16
M20	100	100	17	15000	0.610	29.59		70100 100 100 20
M20	100	150	17	15000	0.707	31.49		70100 100 150 20
M20	100	200	17	15000	0.804	33.72		70100 100 200 20
M24	100	100	20	15000	0.604	31.82		70100 100 100 24
M24	100	150	20	15000	0.746	32.81		70100 100 150 24
M24	100	200	20	15000	0.890	37.56		70100 100 200 24
M30	100	100	26	15000	0.914	36.26		70100 100 100 30
M30	100	150	26	15000	1.147	40.44		70100 100 150 30
M30	100	200	26	15000	1.388	45.84		70100 100 200 30

Foot diameter 120mm

E	D3	H1	SW	payload [Newton]	weight [kg]	price/EUR	AISI 304/NBR	article-no.
M16	120	100	13	30000	0.865	33.68		70100 120 100 16
M16	120	150	13	30000	0.933	34.75		70100 120 150 16
M16	120	200	13	30000	0.999	36.58		70100 120 200 16
M20	120	100	17	30000	0.959	34.86		70100 120 100 20
M20	120	150	17	30000	1.056	36.40		70100 120 150 20
M20	120	200	17	30000	1.153	38.41		70100 120 200 20
M24	120	100	20	30000	1.024	38.05		70100 120 100 24
M24	120	150	20	30000	1.202	40.84		70100 120 150 24
M24	120	200	20	30000	1.324	43.12		70100 120 200 24
M30	120	100	26	30000	1.263	42.11		70100 120 100 30
M30	120	150	26	30000	1.496	46.46		70100 120 150 30
M30	120	200	26	30000	1.737	50.26		70100 120 200 30

Other dimensions and versions on request

Machine foot hygienic



Foot diameter 60mm								
E	D3	H1	SW1	SW2	payload [Newton]	weight [kg]	AISI 304/NBR	
							price/EUR	article-no.
M12	60	140	13	20	10000	0.435	57.64	70101 060 140 12
M12	60	190	13	20	10000	0.535	69.70	70101 060 190 12
M16	60	140	13	20	10000	0.478	57.64	70101 060 140 16
M16	60	190	13	20	10000	0.597	69.83	70101 060 190 16
M20	60	140	17	26	10000	0.671	60.71	70101 060 140 20
M20	60	190	17	26	10000	0.855	70.47	70101 060 190 20

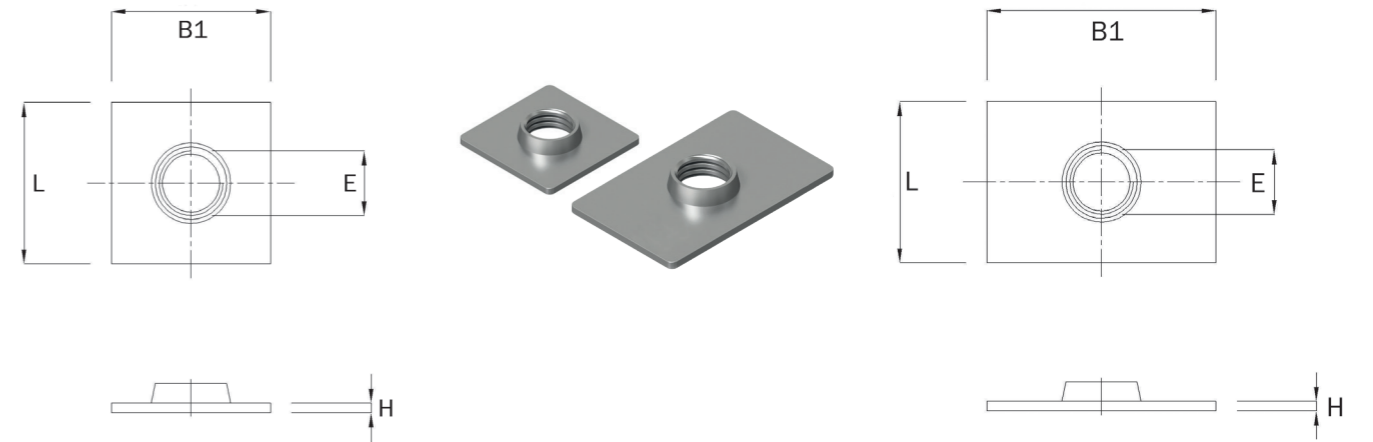
Foot diameter 80mm								
E	D3	H1	SW1	SW2	payload [Newton]	weight [kg]	AISI 304/NBR	
							price/EUR	article-no.
M16	80	140	13	20	20000	0.591	60.81	70101 080 140 16
M16	80	190	13	20	20000	0.703	73.00	70101 080 190 16
M20	80	140	17	26	20000	0.774	63.88	70101 080 140 20
M20	80	190	17	26	20000	0.961	73.65	70101 080 190 20
M24	80	140	20	30	20000	0.975	69.42	70101 080 140 24
M24	80	190	20	30	20000	1.220	78.71	70101 080 190 24

Foot diameter 100mm								
E	D3	H1	SW1	SW2	payload [Newton]	weight [kg]	AISI 304/NBR	
							price/EUR	article-no.
M16	100	140	13	20	25000	0.730	63.73	70101 100 140 16
M16	100	190	13	20	25000	0.853	75.94	70101 100 190 16
M20	100	140	17	26	25000	0.927	66.78	70101 100 140 20
M20	100	190	17	26	25000	1.111	76.58	70101 100 190 20
M24	100	140	20	30	25000	1.125	72.36	70101 100 140 24
M24	100	190	20	30	25000	1.371	81.61	70101 100 190 24
M30	100	135	26	36	25000	1.461	79.48	70101 100 135 30
M30	100	185	26	36	25000	1.840	86.91	70101 100 185 30

Foot diameter 120mm								
E	D3	H1	SW1	SW2	payload [Newton]	weight [kg]	AISI 304/NBR	
							price/EUR	article-no.
M12	120	140	13	20	10000		72.21	70101 120 140 12
M12	120	190	13	20	10000		84.40	70101 120 190 12
M16	120	140	13	20	30000		72.21	70101 120 140 16
M16	120	190	13	20	30000		84.40	70101 120 190 16
M20	120	140	17	26	30000		75.25	70101 120 140 20
M20	120	190	17	26	30000		85.08	70101 120 190 20
M24	120	140	20	30	30000		80.81	70101 120 140 24
M24	120	190	20	30	30000		90.08	70101 120 190 24
M30	120	135	26	36	30000		87.96	70101 120 135 30
M30	120	185	26	36	30000		95.40	70101 120 185 30
M30	120	235	26	36	30000		100.68	70101 120 235 30

Other dimensions and versions on request

Welding plate for machine feet



Welding plate square						
E	L	B1	H	weight [kg]	price/EUR	AISI 304 article-no.
M12	40	40	3	0.036	3.64	70201 040 040 12
M16	40	40	3	0.036	3.64	70201 040 040 16
M20	40	40	3	0.036	3.64	70201 040 040 20
M12	50	50	3	0.057	4.35	70201 050 050 12
M16	50	50	3	0.057	4.35	70201 050 050 16
M20	50	50	3	0.083	4.35	70201 050 050 20
M12	60	60	3	0.083	5.22	70201 060 060 12
M16	60	60	3	0.083	5.22	70201 060 060 16
M20	60	60	3	0.083	5.22	70201 060 060 20

Welding plate rectangular						
E	L	B1	H	weight. [kg]	price/EUR	AISI 304 article-no.
M12	80	40	3	0.073	5.51	70201 080 040 12
M16	80	40	3	0.073	5.51	70201 080 040 16
M20	80	40	3	0.073	5.51	70201 080 040 20
M12	100	50	3	0.117	6.83	70201 100 050 12
M16	100	50	3	0.117	6.83	70201 100 050 16
M20	100	50	3	0.117	6.83	70201 100 050 20

Other dimensions and versions on request



Armaturenwerk Hötensleben GmbH
 Schulstr. 5-6
 D-39393 Hötensleben

Tel: +49 39405 92-0
 Fax: +49 39405 92-111
 E-Mail: info@awh.eu
 http://www.awh.eu

NEUMO Ehrenberg Group

