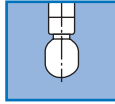


TANKO® JM500



360°

The TANKO® JM500 is a medium driven jet cleaner.

The device is used in a wide range of industrial applications where vessels and tanks need to be power-cleaned. The TANKO® JM500 can be deployed in the vessel through openings with a minimum diameter of 220 mm. 2 nozzle pairs provide cleaning with a 360° spray pattern.

The device has sturdy, externally mounted bevel gear unit. This makes it easy for the user to check the condition of the bevel gears and clean them if necessary. It has been designed to produce the best cleaning results. It is self-cleaning, works with high impact and uses a sufficient volume of cleaning medium for rinsing.

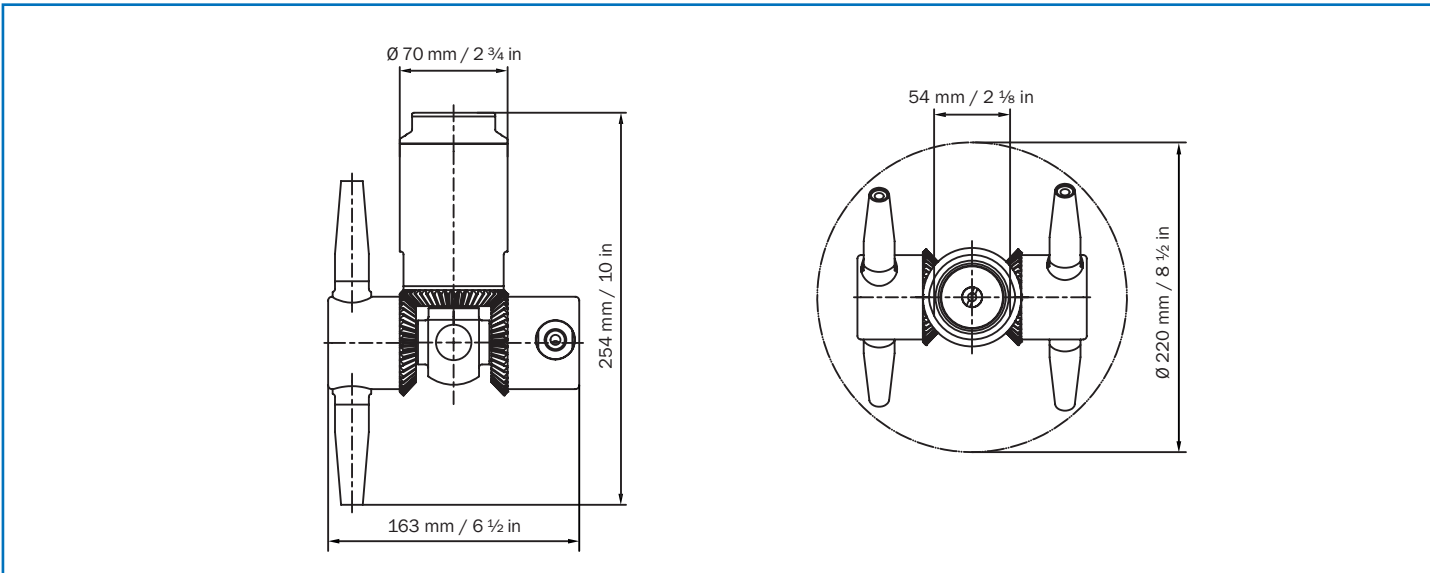
All consumption specifications are for orientation only.
The dimensions listed are in mm and are nominal dimensions.

Technical Parameters

Spray angle:	360° orbital
Materials:	1.4401 (316), 1.4404 (316L), 1.4571 (316Ti), PTFE and PEEK+PTFE
Connections:	1 1/2" BSP or NPT female thread
Operating pressure:	Cleaning medium: 3.5 - 13 bar / 51 - 189 psi
Working temperature:	Cleaning medium: max. 95 °C / 203 °F
Ambient temperature:	Inside the container: min. 5 °C / 41 °F , max. 140 °C / 284 °F
Volume flow rate:	8.1 - 29.4 m³/h / 135 - 490 l/min / 36 - 129 gpm (US) *
Rotation speed (RPM):	approx. 5 - 20 rpm
Range:	Cleaning radius: max. 5.7 m / 18.7 ft; wetting radius: max. 9.8 m / 32.2 ft
Weight:	approx. 5.2 kg
Installation position:	vertical, other positions on request
Min. installation opening:	Ø 220 mm / 8 ½ in
Bearing:	plain bearing

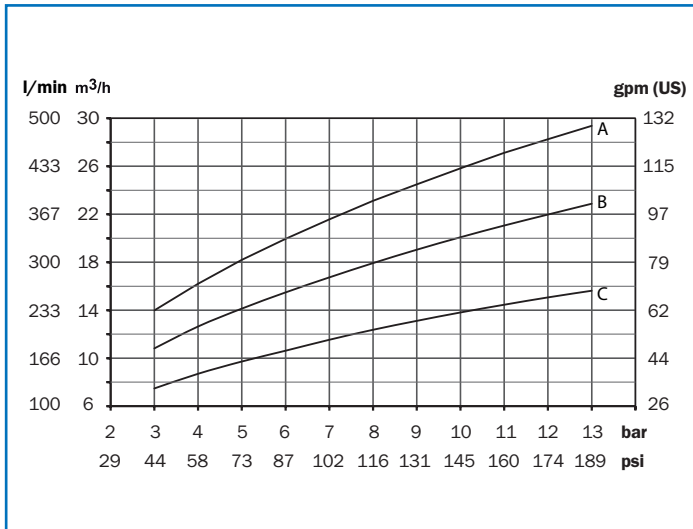
*Depending on model and cleaning medium

Dimensions

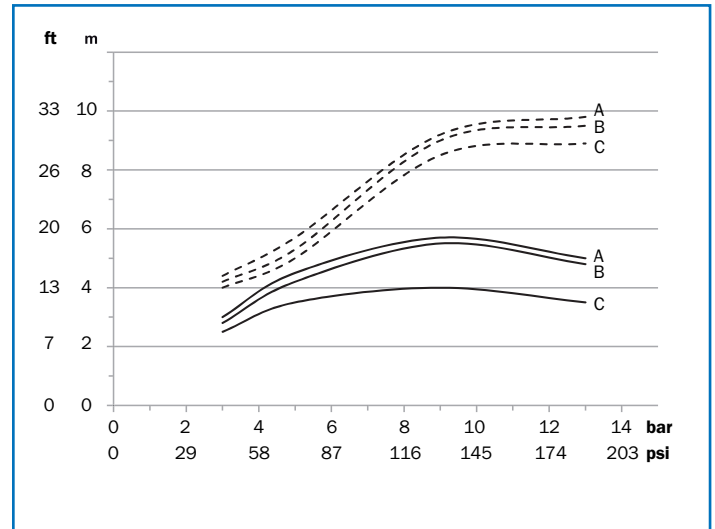


TANKO® JM500

Consumption Data and Throw Length Data



- A** – 4 x Ø 9.5 mm
- B** – 4 x Ø 8.0 mm
- C** – 4 x Ø 6.5 mm



- A** – Ø 9.5 mm
- B** – Ø 8.0 mm
- C** – Ø 6.5 mm

— Wetting radius - - - Cleaning radius

Ordering Information

TANKO® JM500

Article no.	Connection	Description	Nozzles	Pressure [bar]	Price/EUR
668 56 03NG ZOSO 20	1 1/2" BSP (female thread)	TANKO® JM500-G22	4 x Ø 6.5 mm	3.5 - 13	1.950,00
668 56 03NG ZOUO 20	1 1/2" BSP (female thread)	TANKO® JM500-G22	4 x Ø 8 mm	3.5 - 13	1.950,00
668 56 03NG ZOVO 20	1 1/2" BSP (female thread)	TANKO® JM500-G22	4 x Ø 9.5 mm	3.5 - 13	1.950,00
668 56 04NG ZOSO 20	1 1/2" NPT (female thread)	TANKO® JM500-G22	4 x Ø 6.5 mm	3.5 - 13	1.950,00
668 56 04NG ZOUO 20	1 1/2" NPT (female thread)	TANKO® JM500-G22	4 x Ø 8 mm	3.5 - 13	1.950,00
668 56 04NG ZOVO 20	1 1/2" NPT (female thread)	TANKO® JM500-G22	4 x Ø 9.5 mm	3.5 - 13	1.950,00

Spare Parts and Services

Spare Parts

Article no.	Description	Price/EUR
668 56 00NG V000 00	Wear parts package	245,00
664 MH J800 Z000	Assembly aid (2 assembly jaws) TANKO-JM800/JM500/JM100	475,00
664 MW J832 0000	Rotor installation-removal tool	148,00
664 MW J540 0000	Special key for gear wheel installation	92,00

Material Certificates

Description	Net price/EUR
WAZ 3.1 - EN10204 - TANKO® JM	55,00