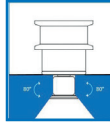
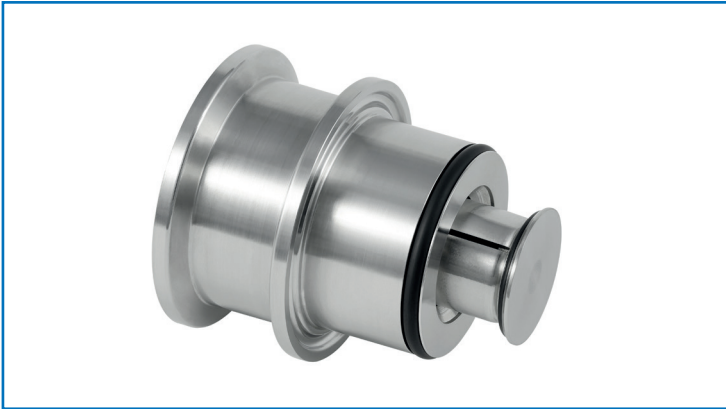


TANKO® RF40

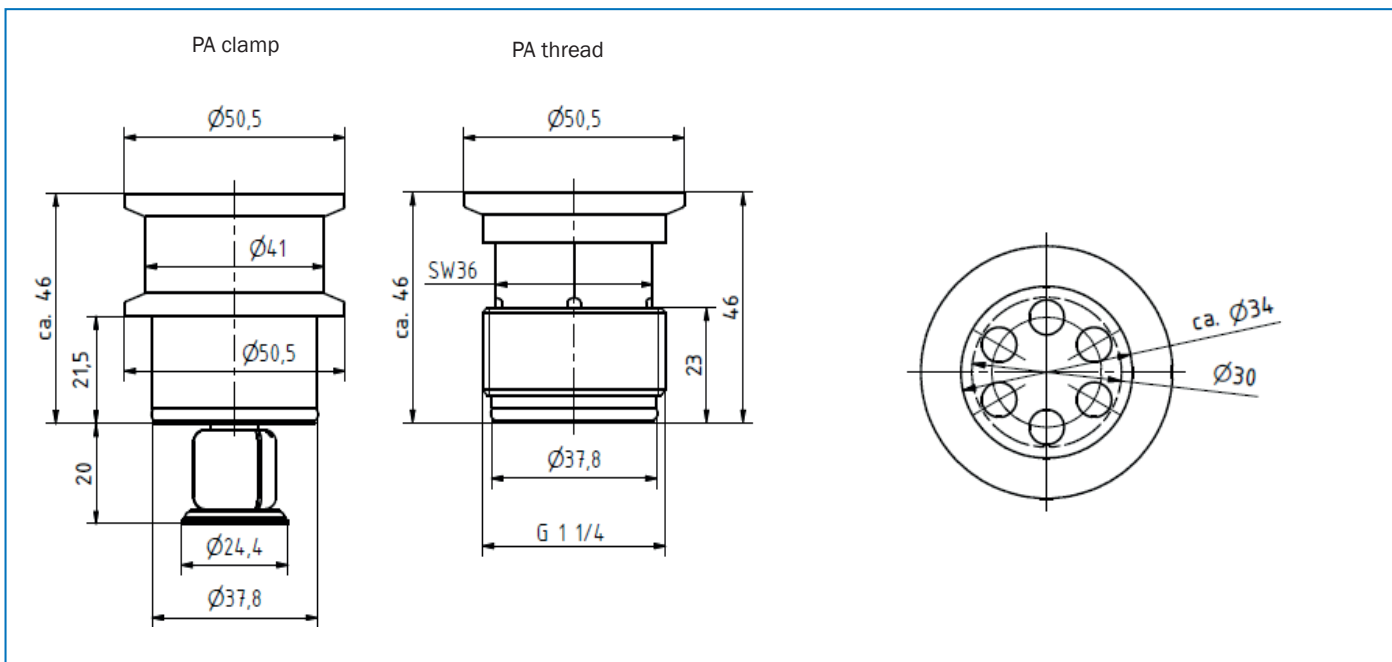


The TANKO® RF is a mini retractor system with a rotating spray head that is extended for the cleaning process with the help of the cleaning medium pressure and driven with the help of the spray head. After switching off the cleaning medium supply, the spray head retracts into its housing by spring force and closes tightly with the help of the O-ring. The device is used to clean the insides of pipelines, spray dryers or small containers where built-in components are not permitted. The TANKO® RF is available in two sizes TANKO® RF40 and TANKO® RF50.

All consumption specifications are for orientation only.
The dimensions listed are in mm and are nominal dimensions.

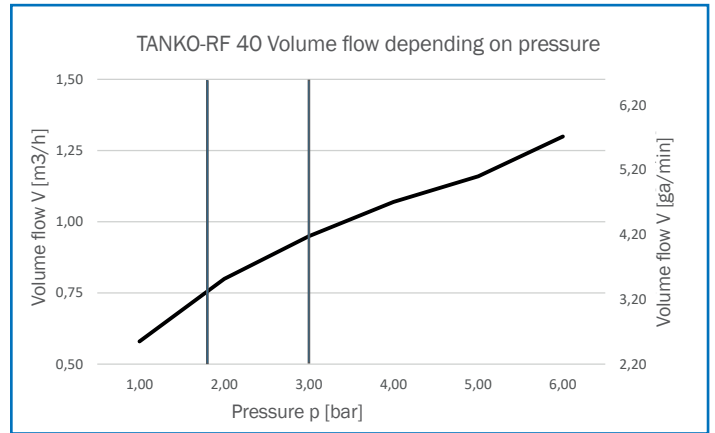
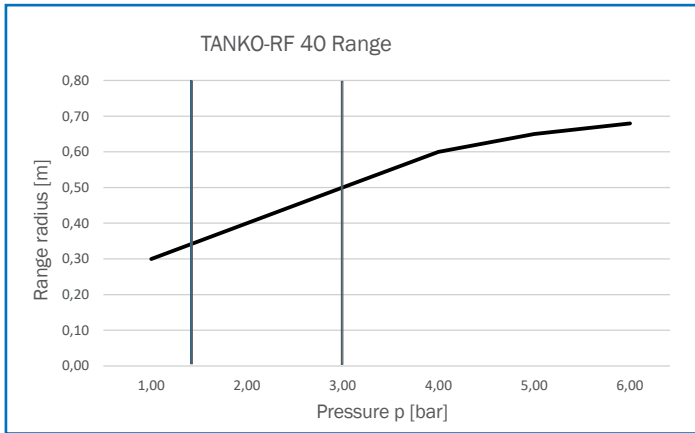
Technical Parameters

Spray angle:	80° upwards
Materials:	1.4404, 1.4430, 1.4401 (spring), PEEK, EPDM (optional FKM and FFKM)
Connections:	Medium connection: Clamp according to DIN 32676 DN40 series A/ 1 1/2" series C Process connection: Clamp connection thread connection
Operating pressure:	Cleaning medium: 1 - 6 bar / 14.5 - 87 psi g
Working temperature:	Cleaning medium: max. 95 °C / 203 °F
Volume flow rate:	0,5 - 1,3 m³/h / 8,3 - 21,7 l/min / 2,2 - 5,7 gpm (US)
Range:	0.3 - 0.7m / 1 - 2.3 ft
Weight:	approx. 0.43 kg
Installation position:	vertically (other positions possible with reduced service life of the wearing parts)
Bearings:	Plain bearing



TANKO® RF40

Consumption Data and Throw Length Data



Ordering Information

TANKO-RF40

Article no.	Connection	Description	Sealing material	Price/EUR
66RF14000CC20	Clamp	TANKO-RF40-C	EPDM	€ 470,00
66RF14000GC20	Thread	TANKO-RF40-G	EPDM	€ 470,00

Spare Parts and Services

Spare Parts

Article no.	Description	Price/EUR
66RF0400VTE00	Wear parts package	
66RF0400AC020	Weldon connectors for TANKO-RF40 clamp	€ 48,00
66RF0400AG020	Weldon connectors for TANKO-RF40 thread	€ 48,00

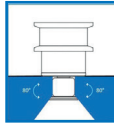
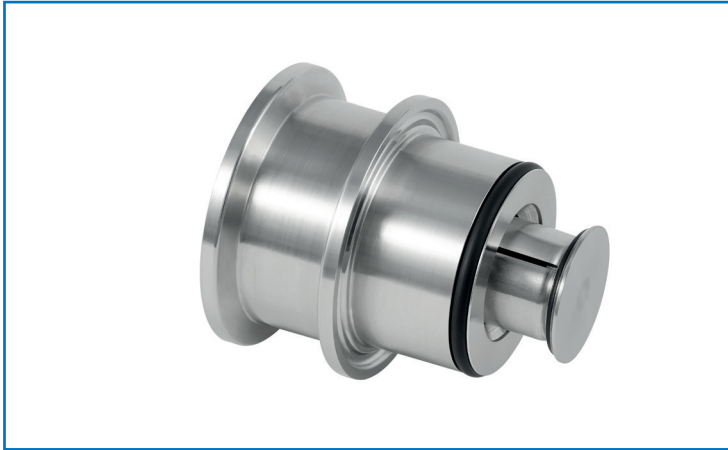
Material Certificate

Article no.	Description	Price/EUR
660RFZ31	3.1 with FDA&USP Class VI	€ 45,00

Tools

Article no.	Description	Price/EUR
664MW01050050	Assembly tool for wire locking pin E	*
664MWRF400120	Mounting bolt for TANKO-RF40	*
66RF0400AG020	Mounting ring for TANKO-RF40	*

TANKO® RF50

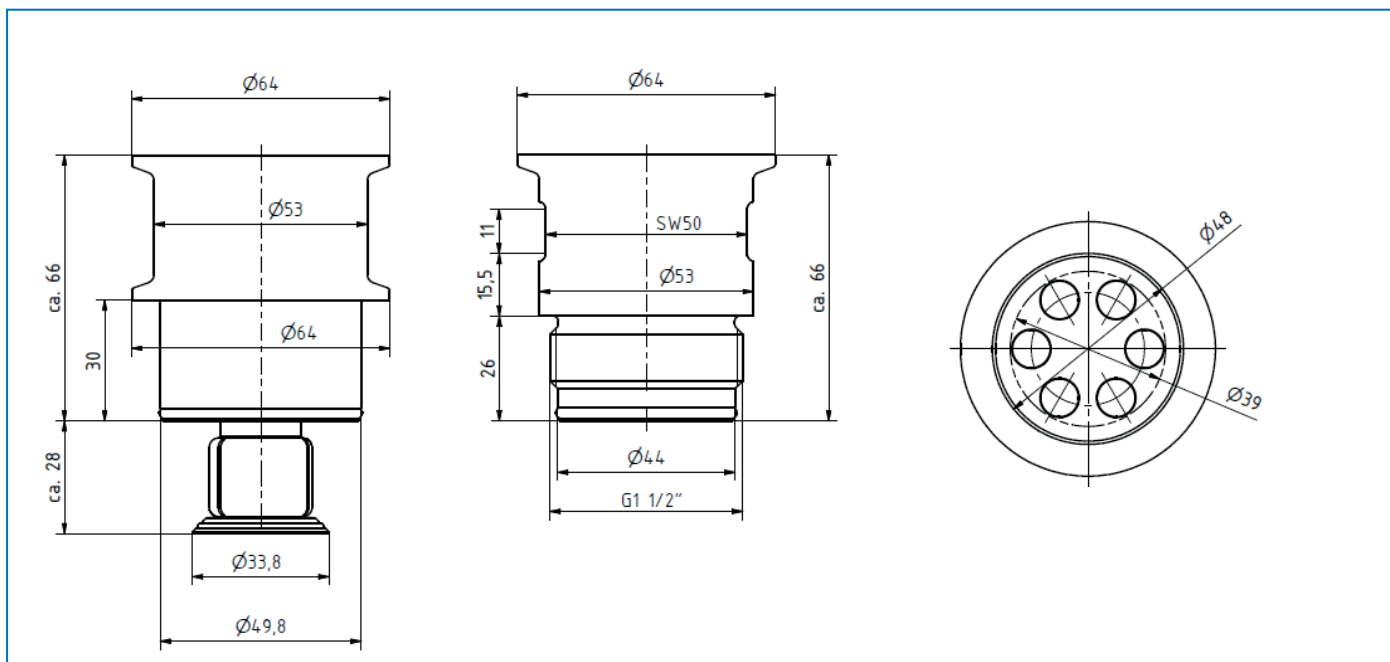


The TANKO® RF is a mini retractor system with a rotating spray head that is extended for the cleaning process with the help of the cleaning medium pressure and driven with the help of the spray head. After switching off the cleaning medium supply, the spray head retracts into its housing by spring force and closes tightly with the help of the O-ring. The device is used to clean the insides of pipelines, spray dryers or small containers where built-in components are not permitted. The TANKO® RF is available in two sizes TANKO® RF40 and TANKO® RF50.

All consumption specifications are for orientation only.
The dimensions listed are in mm and are nominal dimensions.

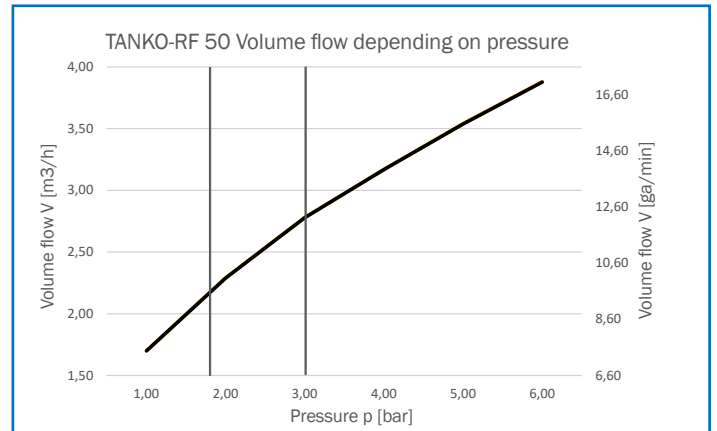
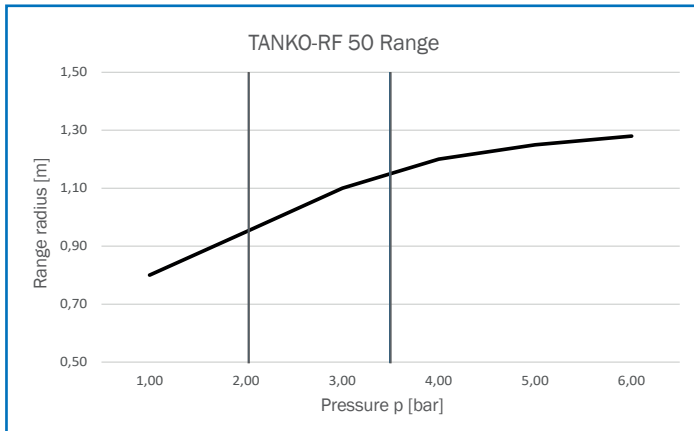
Technical Parameters

Spray angle:	80° upwards
Materials:	1.4404, 1.4430, 1.4401 (spring), PEEK, EPDM (optional FKM and FFKM)
Connections:	Medium connection: Clamp according to DIN 32676 DN50 series A/ 48.3 series B / 2" series C Process connection: Clamp connection thread connection
Operating pressure:	Cleaning medium: 1 - 6 bar / 14.5 - 87 psi g
Working temperature:	Cleaning medium: max. 95 °C / 203 °F
Volume flow rate:	1,7 - 3,9 m³/h / 28,3 - 65 l/min / 7,5 - 17,2 gpm (US)
Range:	0.8 - 1.3m / 2.6 - 4.3 ft
Weight:	approx. 0.9 kg
Installation position:	vertically (other positions possible with reduced service life of the wearing parts)
Bearings:	Plain bearing



TANKO® RF50

Consumption Data and Throw Length Data



Ordering Information

TANKO-RF50

Article no.	Connection	Description	Sealing material	Price/EUR
66RF15000CC20	Clamp DN50	TANKO-RF50-C	EPDM	€ 510,00
66RF14000GC20	1 1/2" BSP (male thread)	TANKO-RF50-G	EPDM	€ 510,00

Spare Parts and Services

Spare Parts

Article no.	Description	Price/EUR
66RF0500VTE00	Wear parts package	
66RF0500AC020	Weldon connectors for TANKO-RF50 clamp	€ 56,00
66RF0500AG020	Weldon connectors for TANKO-RF50 thread	€ 56,00

Material Certificate

Article no.	Description	Price/EUR
660RFZ31	3.1 with FDA&USP Class VI	€ 45,00

Tools

Article no.	Description	Price/EUR
664MW01060050	Assembly tool for wire locking pin E	*
664MWR500120	Mounting bolt for TANKO-RF40	*
664MWR500220	Mounting ring for TANKO-RF50	*