

Tank Cleaning Trolley JM-C1



The tank cleaning trolley allows mobile use of cleaning devices in a tank. The scope of delivery does not include the cleaning device.

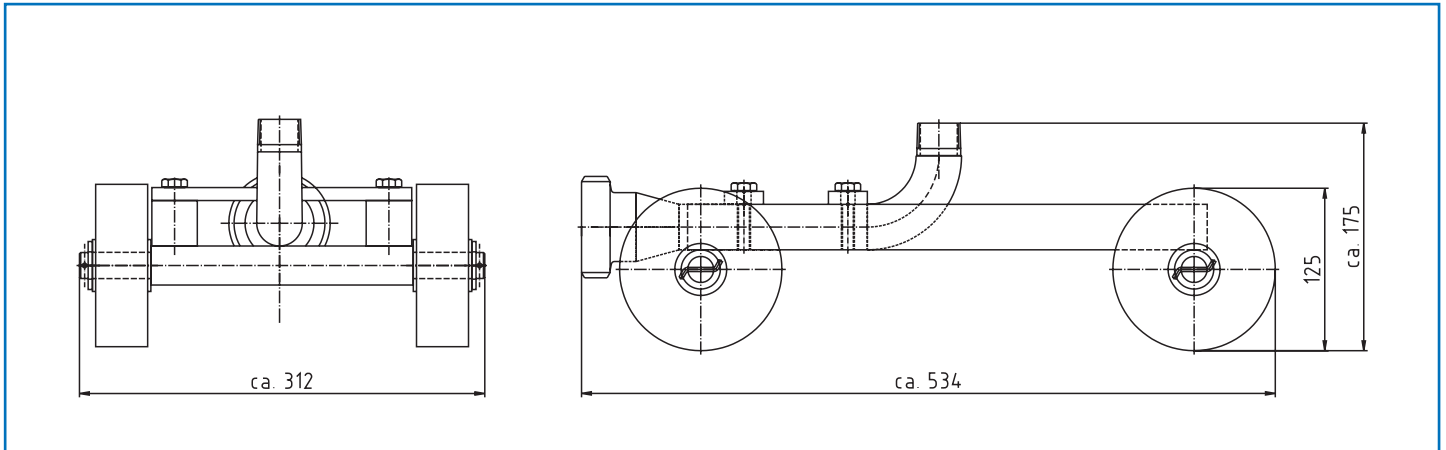
Picture similar

The dimensions listed are in mm and are nominal dimensions.

Technical Parameters

Materials:	1.4404 (316L), 1.4436, 1.4430, 1.4301 (304L)
Wheels:	PP, FDA-compliant
Supply connection:	DN50, male acc. DIN 11851
Jet cleaner connection:	1 1/2" BSP
Surface:	metal-bright or hand polished
Weight:	12.5 kg
Can be used for:	TANKO® JM500, TANKO® RB90, TANKO® S50

Dimensions



Ordering Information

Tank Cleaning Trolley JM-C1

Article no.	Surface	Price/EUR
666 10 1570 0120	metal-bright	680,00
666 10 1570 0121	hand polished	*